

# BGF1001-T1

## T1 MONITORING SYSTEM



### Plug & Play system

Instantaneous monitoring of T1 and G.704 link

### Quick line status

All calls activity, errors and alarms report

### Stand-alone or part of a system

Used together with MTX200 for multiple T1 lines control

## OVERVIEW

The plug & play system for PRI access Aethra® BGF1001-T1, is the best solution for every T1 user. BGF1001-T1 is the right tool to understand where the problem on your T1 line is located.

Just plug the device toward the PRI access and verify, through appropriate LEDs, every aspect of physical layer and so the status of all alarms and errors present on line in both direction, from the Central and from the Terminal Equipment.

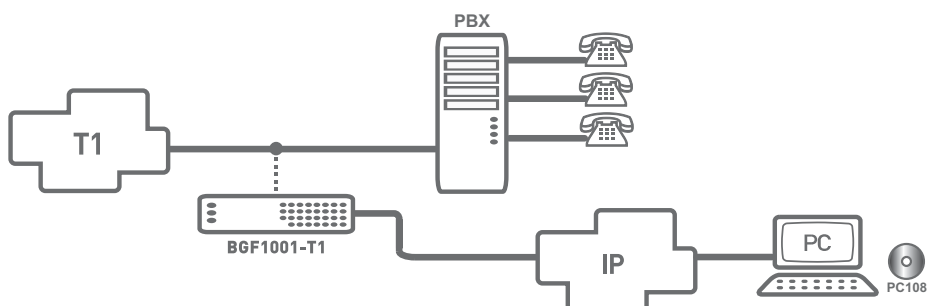
BGF1001-T1 provides also synchronization and D channel information as well as activity and availability of each of the 23 B channels belonging to the access under analysis. Multi-colored LEDs interpret the status of the call from first setup to disconnection. Every channel's activity is available at a glance.

Like every Aethra®'s test sets, BGF1001-T1 may be remotely managed and controlled via RS232 or Ethernet port for different purposes such as access monitoring activities. In conjunction with rackshelf MTX200 matrix, the system will become definitively the easiest and useful tool aimed to continuous monitoring, maintenance and troubleshooting for multiple T1 lines.

## FEATURES AT A GLANCE

- Reliable plug & play device for quick and simple PRI line analysis
- Remote management through RS232 serial or Ethernet port
- B channels activity with multi-colored LEDs and call status report
- Easy alarms, errors and synchronization detection from user and network direction
- Layer 2 and Layer 3 D channel activity
- Aimed to Call Center, Bank, Government

## OPERATING MODES



## TECHNICAL SPECIFICATIONS

### TELECOM INTERFACES

- Primary Rate Access T1 CCITT G.703 (1.544 Mbps), G.704  
ANSI - T1.403 ('95), AT&T TR 62411

### PROTOCOLS SUPPORTED

- On board monitor National ISDN (NI1),  
Nortel (DMS100), AT&T (5ESS)
- Other protocols available by PC V.5.1, V.5.2, EDSS-1, Q.SIG

### CONNECTORS

- Primary access interface  
High-impedance RJ45 (ISO 8877)
- Remote control port DB9, RS232,  
Ethernet 10/100BT

### ENVIRONMENTAL CHARACTERISTICS

- Standard 2U 19" standard rack
- Weight ≈1,7 kg
- Dimensions (mm) 281 (w) x 171 (l) x 56 (d)
- Power  
External AC/DC adapter 110/230Vac ±10% @ 50/60 Hz
- Miscellaneous N2 or N3 19" rack mount  
adapters

### TEMPERATURE

- Storage/Transport - 25°C to +55°C
- Operating, nominal - 0°C to +45°C
- Operating, limits - 5°C to +50°C
- Humidity, non-condensing ≤ 93% RH @ 40°C  
≤ 70% RH @ 50°C

### REFERENCE REGULATION

- EMC aspects CEI EN 55022, CEI EN 55022  
CEI EN 50082-1
- User's Safety Aspects CEI EN 60950
- CE Marking Class B (residential devices)

### SYNC, ALARMS AND ERROR DETECTED

- Synchronism FRAME, CRC
- Alarms LOS, LFA, AIS, RAI
- Errors CRC, CODE Violation, E-bit

### LAYER 2 LINK

- D channel activity No link, errors, link active

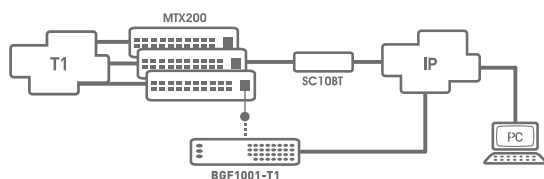
### CALL REPORT

- Status Setup, Active, Error, Aborted
- Direction Incoming, Outgoing
- Calls journaling Full report with time stamp,  
duration and disconnection  
cause by using PC108 Expert  
license

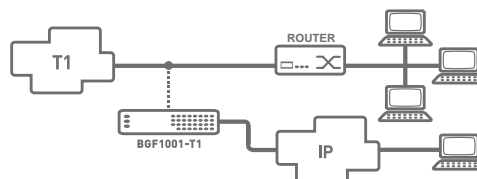
### OPTIONS

- MTX200 Automatic T1 access  
switching matrix
- PC108 for Windows™ Software for protocol  
decoding and data analysis

### MULTIPLE T1s MONITORING SYSTEM



### BACKUP LINES MONITORING



#### AETHRA® SpA

via Matteo Ricci, 10  
60020 Ancona (Italy)  
Telephone +39.071.218981  
Fax +39.071.887077  
Video 1 +39.071.2189160  
Video 2 +39.071.2189701

Beijing Hong Kong London Madrid  
Mexico City Paris Miami São Paulo  
Shanghai Shenzhen

Email: [info.aethra@aethra.com](mailto:info.aethra@aethra.com)  
[www.aethra.com](http://www.aethra.com)